

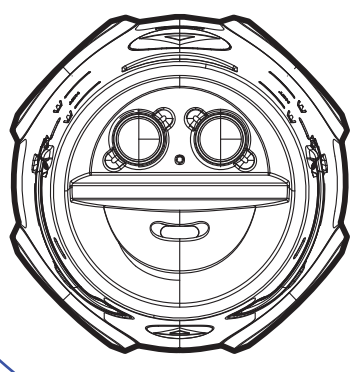


HERE'S ALL YOU NEED TO KNOW ABOUT YOUR ANAND SPORT POD

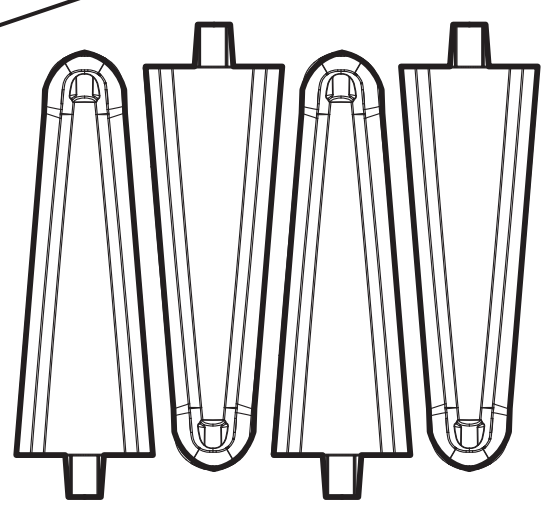
Congratulations on getting an ANAND SPORT POD. Let's get started setting it up. First, take everything out of the box.

WHAT'S IN THE BOX:

- STANDARD
- OPTIONAL

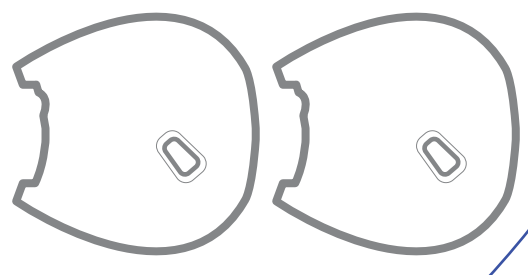
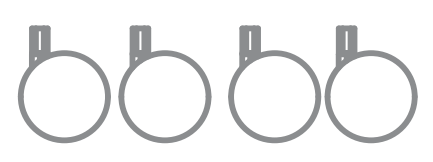


1 CROWN



4 LEGS

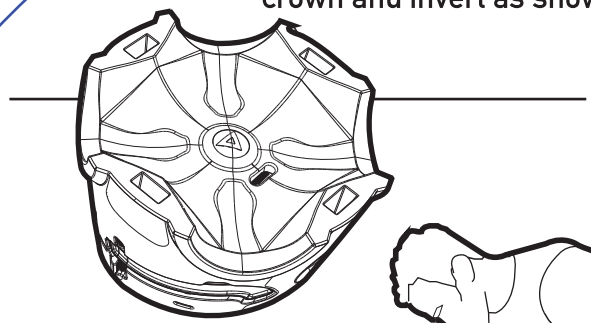
4 CASTERS



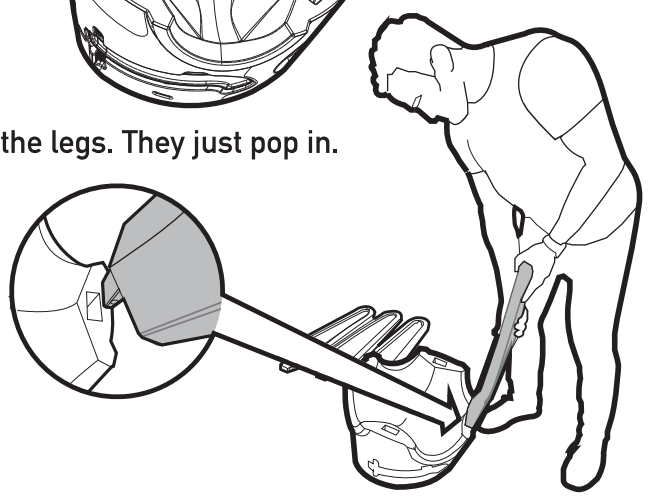
1 OR 2 TRAYS

ASSEMBLY

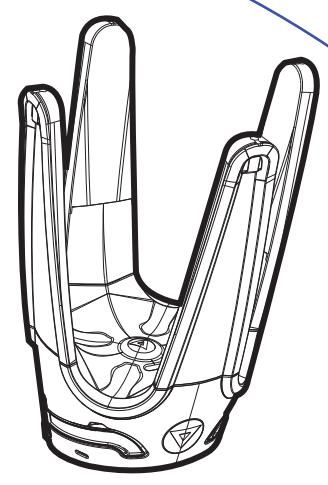
1 Set up your Sport Pod on a clean, flat + dry surface. Pull out the crown and invert as shown.



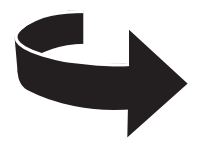
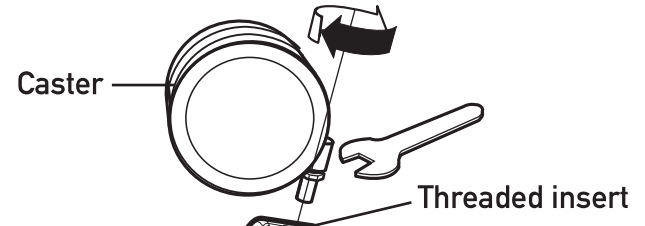
2 Install the legs. They just pop in.



3 Good Job!



4 If you ordered them, screw in the Casters now.

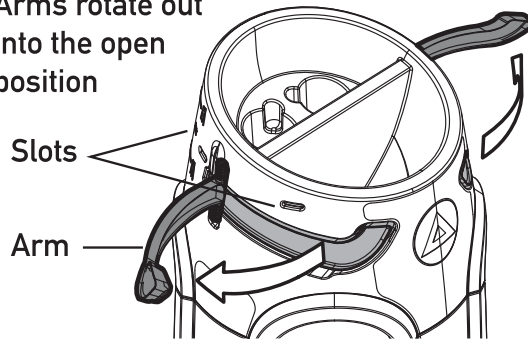


ASSEMBLY CONTINUED

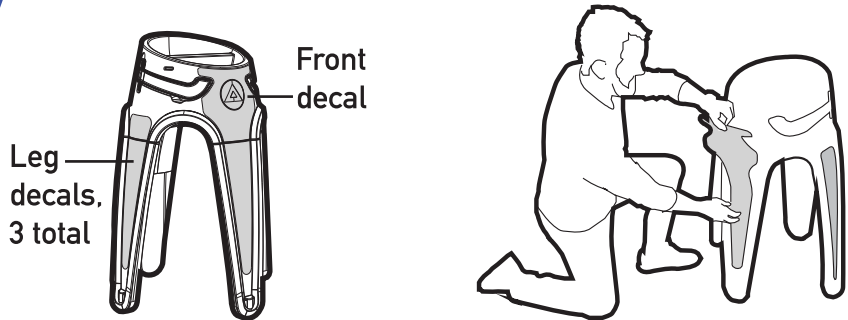
5 Flip over your Sport Pod on to its legs (or wheels).



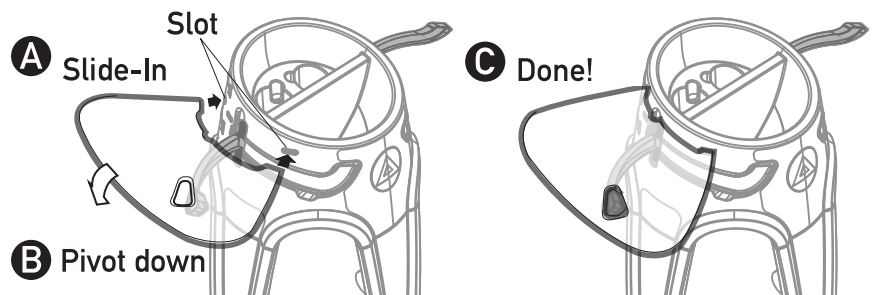
7 Arms rotate out into the open position



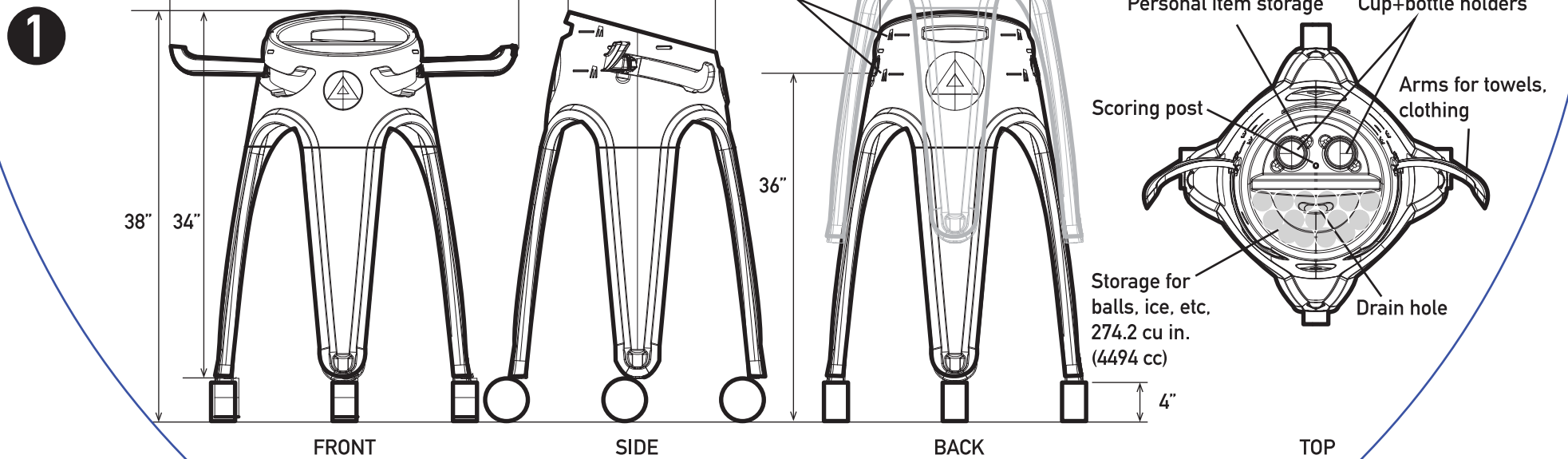
6 DECALS (optional): First, wipe the area of your pod where the decals are to be applied with alcohol and let dry.



8 SIDE TRAYS (optional): Trays slip into side slots + rest on the open arms. Trays are symmetrical and work on both sides.



SPECIFICATIONS



WEIGHT: 19.20 lbs/ 8.71 kg
 MATERIAL: Polyethylene
 CLEANING: Dilute dish soap and water
 COLORS: Colors may fade over time

! DO NOT CLIMB ON YOUR SPORT POD

! DO NOT SIT ON YOUR SPORT POD

APPLICATIONS

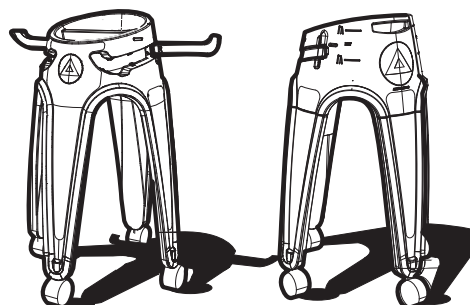


CONTACT

WWW.ANANDSPORT.COM
 PHONE: 1-888-85-SPORT
 ANAND PROPERTIES, LLC
 52 BEACH ROAD, SUITE 204
 FAIRFIELD, CT. 06824

SEE TERMS AND CONDITIONS AT ANANDSPORT.COM

© ALL RIGHTS RESERVED



ANAND



PATENT NUMBER US10220288B1, OTHER PATENTS PENDING